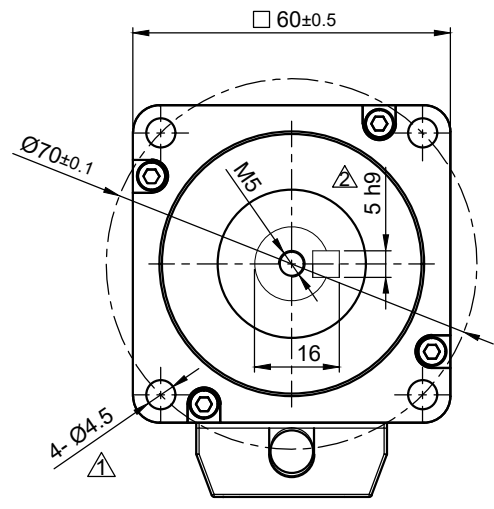
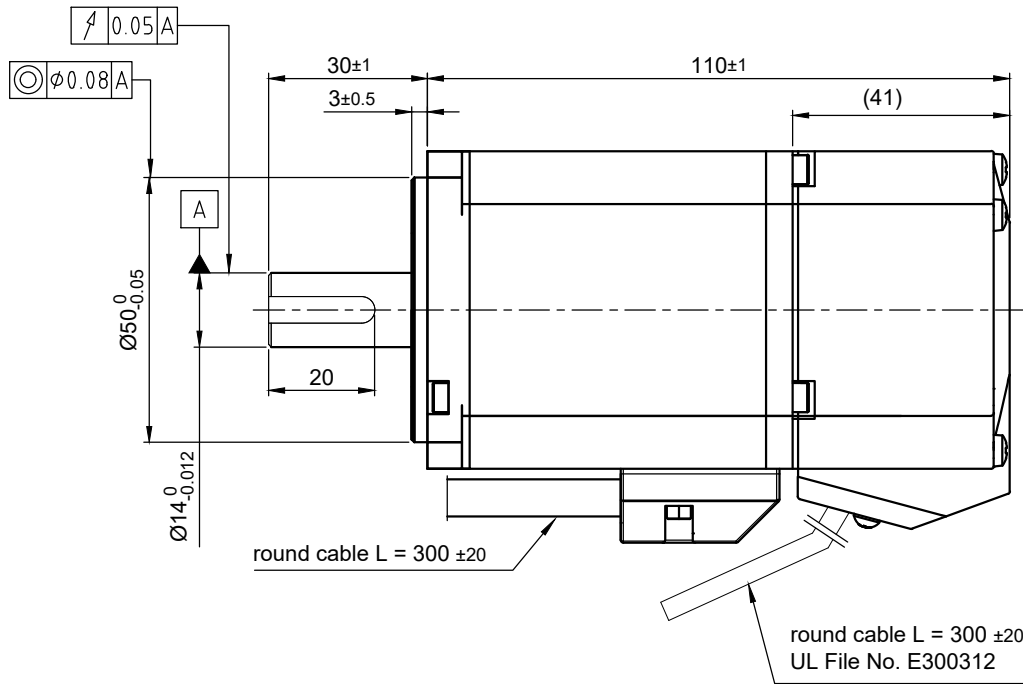
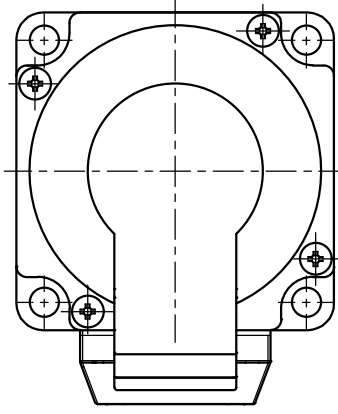


Dimension	Tolerance
5 h9	$\begin{matrix} 0 \\ -0.030 \end{matrix}$



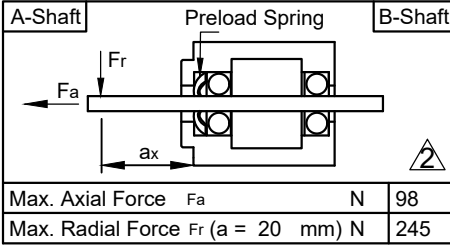
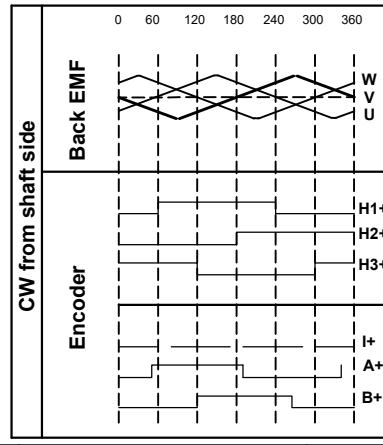
MOTOR SPECIFICATION	
No. of Poles	8
Rated Voltage	V DC 48
Current - No Load / Rated / Peak	A \nearrow 1.27 / 6 / 18
Resistance Line to Line	$\pm 10\%$ Ω 0.56
Inductance Line to Line (1kHz)	$\pm 20\%$ mH 1.2
Torque - Rated / Peak	Nm 0.64 / 1.92
Torque Constant	Nm/A 0.107
Rated Power	W 200
Speed - No Load / Rated	$\pm 10\%$ rpm \nearrow 5200 / 3000
Rotor Inertia	kg m ² \nearrow 21 x 10 ⁻⁶

GENERAL MOTOR SPECIFICATION	
Ambient Temperature	°C -20 ... 40
Max. Temperature Rise (at standstill)	°C 90
Max. Ambient Humidity (non condensing)	% 90
Insulation Class	B
Insulation Resistance	M Ω 100
Dielectric Strength (for 1 min - coil to case)	V AC 500
Protection Class (except shaft outlet)	IP65

WIRING DIAGRAM			
Motor	Colour	Function	Lead Gauge
	YE	U	UL758 AWG16
	RD	V	
	BK	W	
Ground	YE/GN	PE	UL758 AWG18

ENCODER SPECIFICATION	
Operating Voltage	$\pm 5\%$ V DC +5 V
Resolution	cpr 2500
Resolution (cpr with quadrature)	ppr 10000
No. of Channels	3
Signal Type	incremental
Index / Line Driver	yes / yes

PIN Assignment Encoder	
Colour	Function
RD	+5V
BK	GND
-	-
BN/BK	H1+
BN	H1-
YE	I+
GN	B+
BU/BK	A+
GY/BK	H3+
WH/BK	H2+
YE/BK	I-
GN/BK	B-
BU	A-
GY	H3-
WH	H2-
-	Shield



Max. Axial Force F_a	N	98
Max. Radial Force F_r (a = 20 mm)	N	245

ISO 8015	ISO 1302	ISO 2768 cK	ISO 13715
			Date
			Name
			Drawn
			Reviewed
			Released
02	revise drawing	Schneid_A	08.01.2020
01	Change spec.&Motor L	Garcia_E	29.11.2019
REV	Rev. Text	Name	Date



Weight: 1.0 kg	
APBA60M048030-E	
04200040	
State: Released	Rev: 02
CONFIDENTIAL	
A4 Page 1	